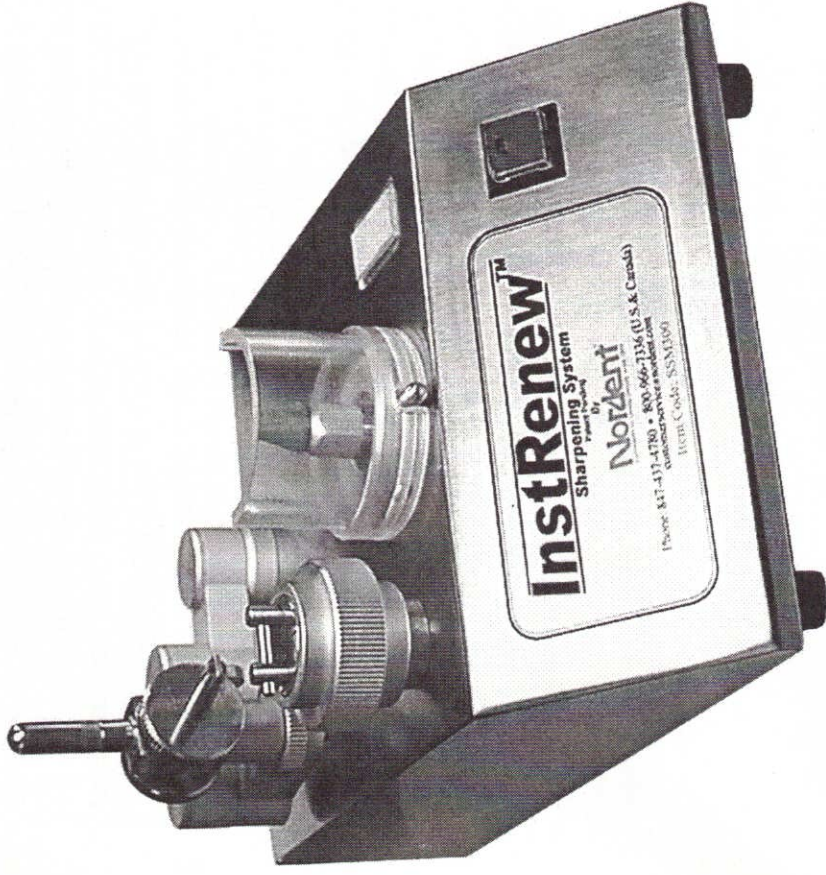


InstRenew™

Sharpening System

Patent Pending

Instruction Booklet



Nordent®

Instruments for Quality Dentistry since 1969

Nordent Mfg. Inc.
1374 Jarvis Ave., Elk Grove Village, IL 60007
Phone: (847) 437-4780 - Fax: (847) 437-4786
Toll Free: 800-966-7336 (U.S. & Canada)
customer.service@nordent.com

Warranty.

Your InstRenew™ Sharpening System has been completely inspected before being shipped to you and is guaranteed to be free of defects in material and workmanship for a period of one year from the date of invoice.

For the first 12 months after date of invoice we will repair any InstRenew machine returned to us that proves to be defective in materials or workmanship. If we are unable to repair the unit, we will replace it with a comparable unit that is new or refurbished at our discretion.

This Warranty does not cover problems that result from:

- External causes such as accident, abuse, misuse or electrical power problems.
- Servicing not authorized by Nordent.
- Usage that is not according to product instructions.
- Use of accessories or components not supplied by Nordent.
- Units with missing or altered service tags or serial numbers.

Disassembly of the unit by the user voids the warranty.

HOW TO RETURN THE PRODUCT.

You must return the product to us in its original or equivalent packaging, prepaid shipping charges and insure the shipment or accept the risk if the product is lost or damaged in shipment. We will return the repaired or replacement product to you. We will pay to ship the repaired or replaced product to you if you use an address in the United States (excluding Puerto Rico, U.S. possessions and territories.)

Safety Precautions.

Be sure to carefully read and understand the safety precautions and operating instructions before use!

When using this machine, follow the normal safety precautions for all electric powered equipment.

- Only sharpen instruments that have been properly sterilized. Always re-sterilize instruments after sharpening.
- Always wear approved eye protection when using this machine.
- Never operate the unit without the cone guard in place.
- This machine is intended to be used in a non-sterile area.
- The power cord for this unit is specifically designed for the InstRenew™ Sharpening System. Never interchange power cords between electrical appliances.
- The power cord of this unit has a polarized plug and is intended to fit into a polarized electrical outlet. If the plug does not fully fit into your outlet rotate the plug and reinsert. If the plug still doesn't fit, contact a qualified electrician.
- This unit is intended for indoor use only. Never operate this machine in a damp area or near a source of water.
- This unit should be situated away from heat sources such as radiators, heat registers, stoves or other products (including autoclaves) that produce heat.
- Unplug the power cord before moving the machine or when not in use.
- Always examine the power cord prior to each use. Do not operate the machine if the power cord or the machine has been damaged in any way.
- Place unit on a secure, stable, well lit work area that is free from clutter to prevent personal injury and damage to the unit.
- Be certain that the area in front of the wall outlet that this machine is plugged into is free from obstruction.
- Keep loose clothing, jewelry and hair away from all moving parts.
- Avoid touching moving parts or materials while the machine is in use. If the motor should stop working, immediately unplug the machine from the outlet before removing the obstruction.
- Use this machine only for its intended purpose of sharpening dental hygiene Universal Curettes, Gracey Curettes and Scalers.
- Unplug the machine prior to cleaning. To clean the machine use a damp cloth. **DO NOT USE SOLVENTS.**
- To reduce the risk of fire and/or electrical shock, do not attempt to disassemble or service this machine. If service is required, contact your authorized Nordent dealer or Nordent Manufacturing Inc., 1374 Jarvis Avenue, Elk Grove Village, IL 60007, USA Toll Free (US and Canada) 800-966-7336.

Why Sharp Instruments?

Sharp instruments increase patient comfort, improve productivity and reduce hand fatigue.

A sharp hygiene instrument removes calculus quickly and cleanly, while dull instruments slide over deposits leaving calculus burnished to the tooth. Procedures can be completed much more efficiently with a sharp blade, since fewer strokes are required to remove the same amount of calculus. And since less pressure is required, the patient experience is more pleasant and comfortable, not to mention how much better you'll feel with an instrument that's easier to use.

With your new InstRenew™ Sharpening System and a little practice, you'll be able to sharpen all your hygiene instruments in seconds... Every Brand, Every Pattern, Every Time.

Professional Sharpening Service.

Did you know that Nordent also provides a Professional Sharpening Service that will supplement your In-House instrument maintenance program for diagnostic, operative and surgical instruments?

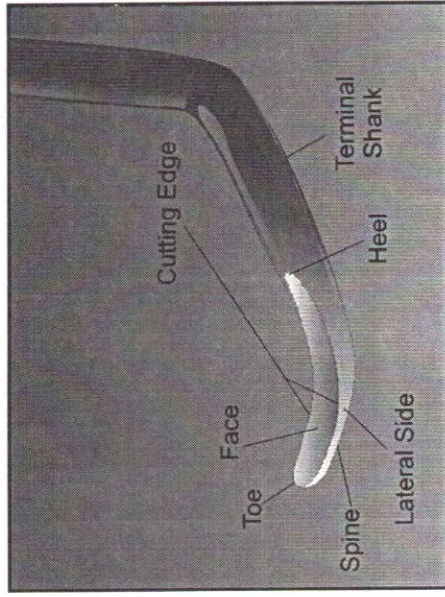
By using this service, your practice can enjoy the benefits of sharp / properly aligned instruments for every procedure and reduce replacement costs for instruments such as scissors, forceps, rongeurs and elevators.

Nordent will sharpen any brand and any type of instruments within 48 hours. Call today for more information:

800-966-7336
US and Canada

Instrument Anatomy And Terms.

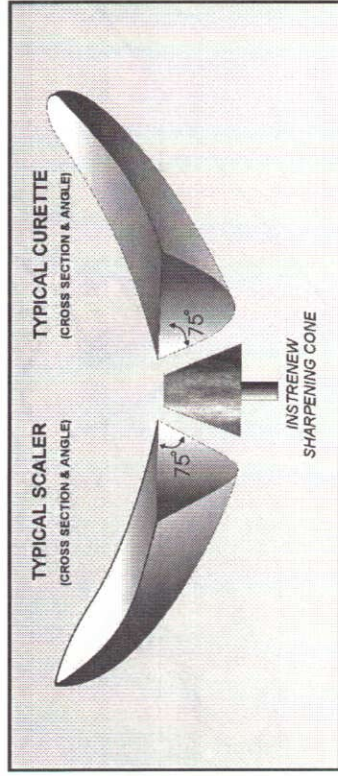
The illustration below details the basic anatomy terms used in this booklet.



InstRenew™ For All Scalers and Curettes *Sharpening System*

Every scaler and curette has one thing in common... the angle between the blade face and the lateral surface is always 75°.

InstRenew's sharpening cone is precisely angled so that Every Brand, Every Pattern of instrument is perfectly sharpened... Every Time



InstRenew™

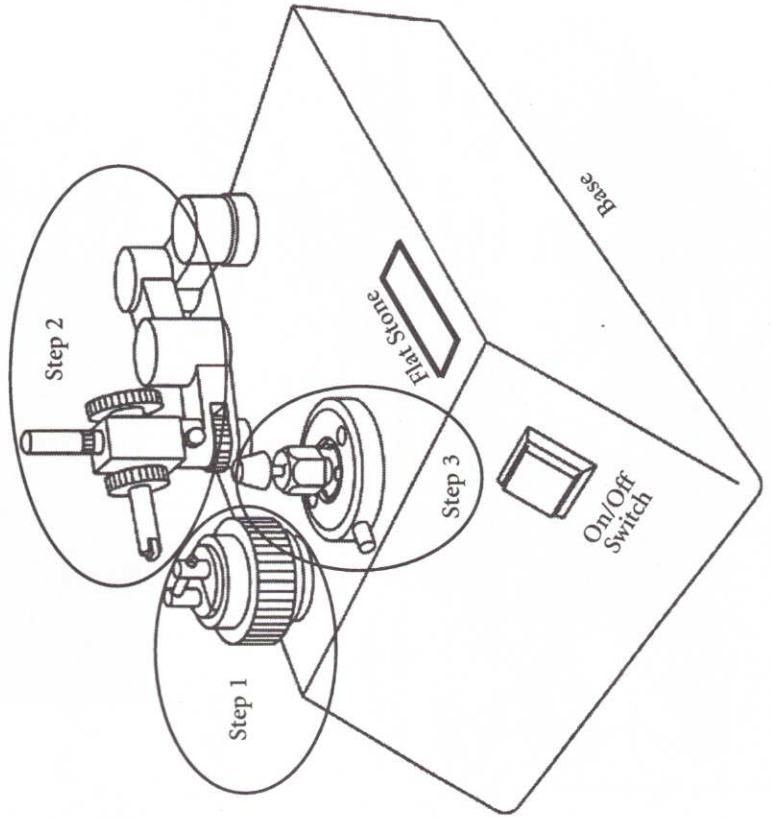
Sharpening System

Before you begin...

Familiarize yourself with all of the components of your InstRenew Sharpening System and the terms, illustrations and instructions outlined in this booklet.

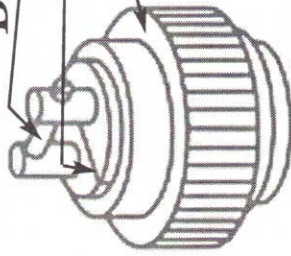
Your InstRenew Sharpening System has been shipped to you completely assembled and ready for use. You will also find an accessory pack that includes the following:

- Collet wrench
- Plastic Test Stick
- Sharpening Cone Dressing (1 oz bottle)



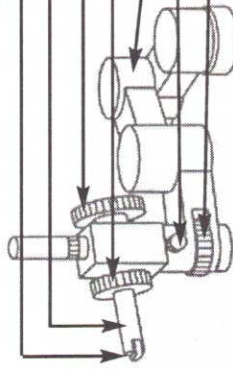
Step 1 Blade Positioner.

1. Blade Face Bar
2. Blade Groove
3. Blade Tightening Knob



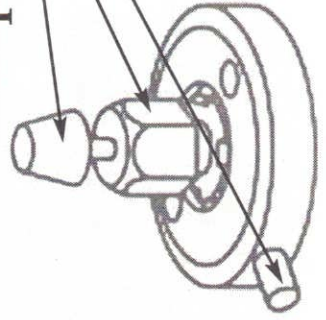
Step 2 Tip Clamp.

4. Tip Clamp
5. Clamp Sleeve
6. Clamp Tightening Knob
7. Radial Adjustment Knob
8. Articulated Arm
9. Vertical Lock
10. Vertical Adjustment Knob



Step 3 Sharpening Cone.

11. Sharpening Cone
12. Chuck
13. Spindle Lock
14. Cone Guard (not shown)



Getting Started.

Before you plug in the power cord...

Your InstRenew™ Sharpening System comes with the Sharpening Cone installed in the Chuck. Before starting the machine check to see if the Sharpening Cone is secure and that the Chuck is tightened. To do this, you must remove the safety shield and depress the Spindle Lock. Tighten the Chuck with the wrench provided. Do Not Over Tighten! Replace the safety shield.

Put a few drops of Sharpening Cone Dressing on your finger or a Q-Tip and coat the surface of the cone.

Connect the power cord to the machine and then to a 110v outlet and switch on the power using the on/off switch. Make sure the diamond coated Sharpening Cone is running smoothly. Switch the machine to the OFF position before proceeding to Step 1.

If excessive vibration is observed, follow the instructions for balancing the sharpening cone on page 14 of this booklet.

Step 1 - Position the Blade.

1. Raise Blade Face Bar by turning the Blade Tightening Knob counter-clockwise. (Fig 1)

2. Insert the tip of the blade to be sharpened into the Blade Positioner by sliding the blade spine into the Blade Groove (Fig 1)
Hint: Insert the blade so the tip is just visible past the Blade Face Bar.

3.) Support the instrument handle while lowering the Blade Face Bar by turning the Blade Tightening Knob clockwise.

With the Blade Face Bar fully engaged, the instrument will be held firmly in place without additional support. (Fig 2)

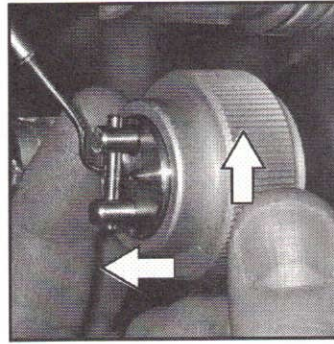


Fig. 1

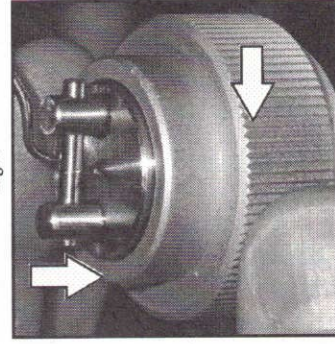


Fig. 2

Step 2 - Clamp the Tip.

1. Alignment

Open the Tip Clamp by turning the Clamp Tightening Knob clockwise.

Move the Articulated Arm assembly toward the instrument tip which is fixed in the Blade Positioner.

Rotate the Radial Adjustment Knob to align the grooves on the Tip Clamp Sleeve with any straight segment on the shank of the tip. (Fig 3)

2. Clamp the Tip

With the shank engaged in the grooves of the Tip Clamp Sleeve, retract the Tip Clamp toward the shank by firmly holding the Radial Adjustment Knob and turning the Clamp Tightening Knob counter clockwise (Fig 4).

Be sure to tighten the Tip Clamp securely without rotating the Radial Adjustment Knob.

3. Height Adjustment

Most instrument patterns can be grasped with the Tip Clamp assembly fixed in its lowest position. However some instrument patterns may require additional adjustment of this assembly (Fig 5).

To raise this assembly loosen the Vertical Lock and rotate the Vertical Adjustment Knob to enable proper adjustment.

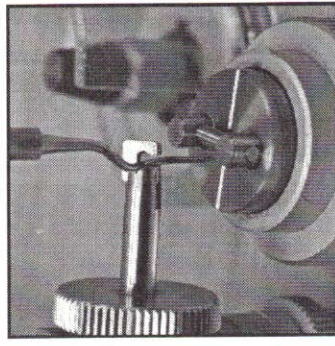


Fig. 3



Fig. 4

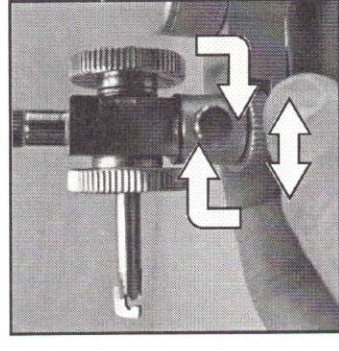


Fig. 5

Step 3 - Sharpen the Blade.

1. With the tip securely fixed in the Tip Clamp release the blade from the Blade Positioner by turning the Blade Tightening Knob counter-clockwise (fig 6).
 2. Lightly hold the Articulated Arm assembly as shown (fig 7), move the blade toward the Sharpening Cone.
 3. Turn on the motor by pressing the on/off switch.
 3. Lightly trace the blade surfaces (to be sharpened) on the surface of the spinning Sharpening Cone (fig 8).
- Turn off the motor by pressing the on/off switch.
- Using the plastic Test Stick provided, test for sharpness prior to removing the tip from the Blade Clamp (fig.8).

Once you have verified sharpness, remove the tip from the Tip Clamp and sharpen the opposite blade by repeating steps 1-3.

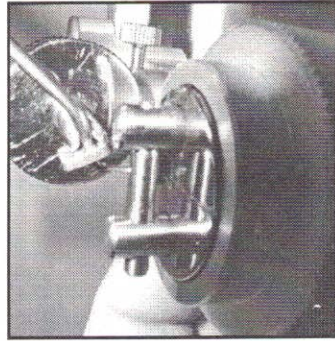


Fig. 6

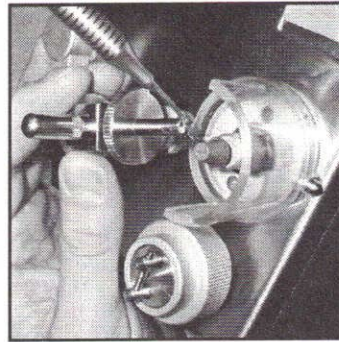


Fig. 7

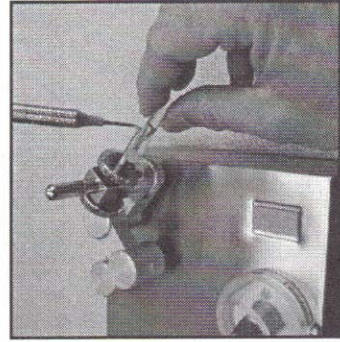


Fig. 8

Helpful Hints.

Only sharpen instruments that have been properly sterilized.

Step 1—Positioning Blade

- Allow the instrument to adjust itself as the Blade Positioner is tightened. The positioner will move the instrument blade into the correct position.
- When an instrument blade becomes too thin to sharpen, the Blade Positioner will no longer support the instrument.

Step 2—Clamping the Tip

- Always clamp the instrument tip on a straight segment of the shank. Never clamp the tip on a bend.
- Be sure to hold the Radial Adjustment Knob securely while tightening the Clamp Tightening Knob. Allowing the Radial Adjustment Knob to rotate during this step will alter the position of the blade.
- Be sure that the shank of the tip is fully engaged in the grooves of the Clamp Sleeve and that you retract the Tip Clamp toward the shank.
- Be sure to tighten the Clamp Tightening Knob securely. During the clamping procedure you may notice slight movement of the instrument handle. This is normal (if the Radial Adjustment Knob is not moved).
- Additional "Fine Tuning" of the clamp mechanism can be achieved by loosening the Vertical Adjustment Lock during the clamping process.

Step 3-Sharpen the Blade

- With the Sharpening Cone turning, lightly trace the lateral surface(s) of the blade.
- Scalers: Sharpen both sides of the blade from heel to tip. The tip is pointed so be sure to lighten your pressure as you move toward it.
- Universal Curettes: Sharpen both sides of the blade from heel to toe. The toe is rounded and should be sharpened using a very light touch and a firm hand.
- Gracey Curettes: Sharpen one side of the blade and the rounded toe. Prior to sharpening...identify the side of the blade to be sharpened by holding the instrument so that the terminal shank is pointing straight down and away from you. The edge to be sharpened will be the lower edge of the blade.
- With any sharpening method, as scalers become thinner, the spine of the instrument may become undesirably sharp. To correct this, simply slide the spine of the instrument over the flat stone which is fixed to the top of the machine base.
- For instruments that are maintained on a regular schedule, sharp blades will be achieved with 1-2 passes over each cutting edge.
- Use only light pressure when moving the instrument blade over the sharpening cone.

Tip Clamping Examples.

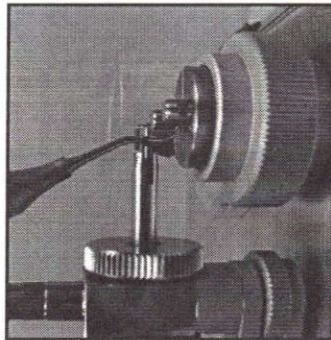


Fig. 9

Clamping the 6/7 Sickle Scaler

- Place the blade in the Blade Positioner so that the terminal shank is close to vertical as shown.
- Clamp the tip below the bend as shown.

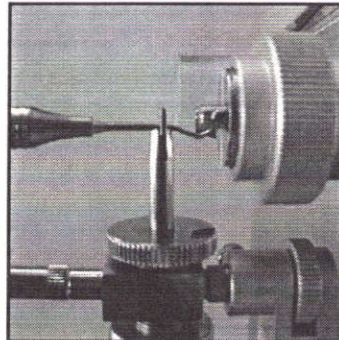


Fig. 10

Clamping the Anterior Jacquette Scaler

- Place the blade in the Blade Positioner as shown.
- Raise the clamp assembly following directions on page 9 of this booklet.
- Clamp the tip above the bends as shown.

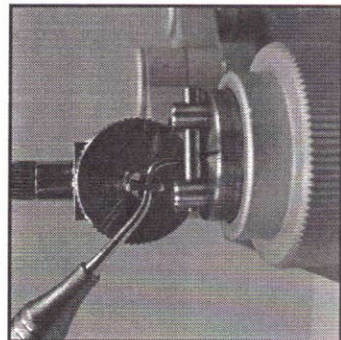


Fig. 11

Clamping the Columbia Universal Curette

- Place the blade in the Blade Positioner as shown.
- Clamp the tip between the bends as shown.

Tip Clamping Examples.

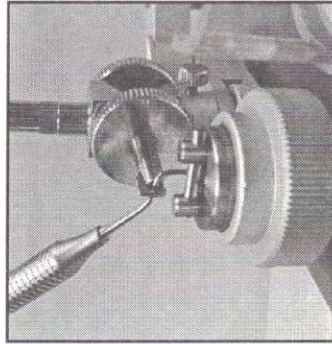


Fig. 12

Clamping the 204S Sickle Scaler

- Place the blade in the Blade Positioner so that the tip extends approximately 1mm beyond the Blade Face Bar as shown.
- Clamp the tip between bends as shown.

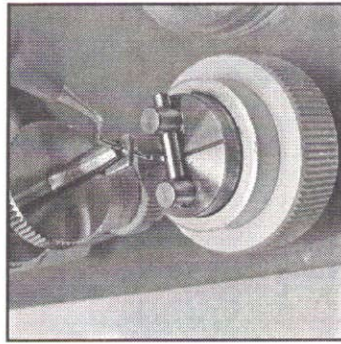


Fig. 13

Clamping the Gracey 7/8 Curette

- Place the blade in the Blade Positioner so that the toe of the curette is completely covered by the Blade Face Bar as shown.
- Clamp the tip below the bend as shown.

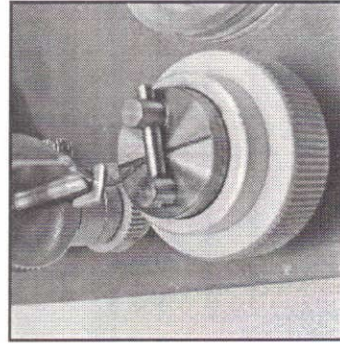


Fig. 14

Clamping the Gracey 13/14 Curette

- Place the blade in the Blade Positioner so that the toe of the curette is completely covered by the Blade Face Bar as shown.
- Clamp the tip below the bend as shown.

We'd Like You To Get To Know Us.

- Nordent has manufactured *instruments for quality dentistry since 1969* in the U.S. and is known for quality and innovation in over 30 countries.
- We produce the highest quality instruments using the finest domestic high-carbon stainless steel.
- We are certified under the following international quality standards: ISO 9002 (Certificate Number 1998/9440) IQ Net and CE.
- Our full line includes diagnostic, hygiene, operative and surgical instruments for any procedure. You'll find that in addition to all of your favorite instrument designs, Nordent offers many unique and innovative designs.
- Nordent instruments are available only through authorized dental dealers.
- Contact our friendly, expert Customer Service Team for a catalog, today.

Nordent®

Instruments for Quality Dentistry since 1969

Nordent Mfg. Inc.

1374 Jarvis Ave., Elk Grove Village, IL 60007

Phone: (847) 437-4780 - Fax: (847) 437-4786

Toll Free: 800-966-7336 (U.S. & Canada)

customerservice@nordent.com

*InstiRenew™ is a Trade Mark of Nordent Manufacturing, Inc.
The InstiRenew Sharpening System is Patent Pending.
Illustrations, photographs and text used in this booklet are property of
Nordent Manufacturing, Inc. and can not be copied or reproduced
without the expressed permission of Nordent.*